

## Product Features

- Anodized aluminum body, satin chrome finish
- Pre-plumbed with thermostatic temperature control with integrated diverter and volume control
- Max. flow rate of valve – 8 gpm @ 44 psi
- Raindance E 100 AIR 3-Jet handshower with 63" handshower hose, 2.5 gpm
- Protection against backflow provided by check valve
- Integrated wallbar with angle adjustable handshower holder
- 4 angle adjustable bodyjets
- Tub spout
- Frosted accessory shelf
- 1/2" connections

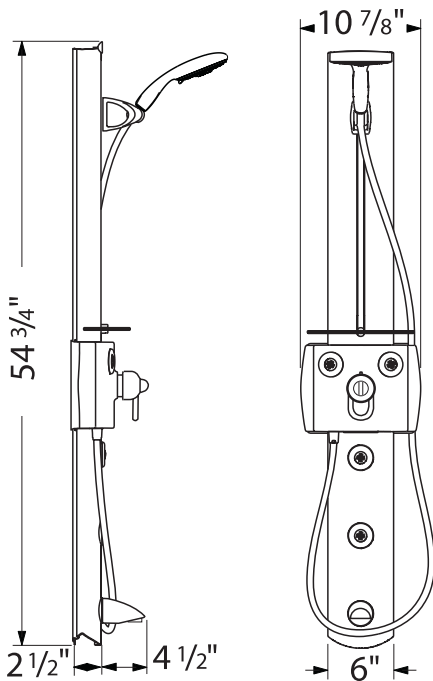
## Code Compliance

This unit meets or exceeds the following:

- ASME A112.18.1
- CSA B125.1
- ASSE 1016
- Listed by IAPMO
- Approved for use in Massachusetts

## Available Finishes

- |   |          |
|---|----------|
| Satin chrome panel with chrome trim         | 06573000 |
| Satin chrome panel with brushed nickel trim | 06573820 |



The measurements shown are for reference only.

Products and specifications shown are subject to change without notice.

Specification sheet revised 2/2008